

4

3

2

1

THIS DRAWING IS UNPUBLISHED.
DIFFUSION RESTREINTE

RELEASED FOR PUBLICATION
LIBRE A LA DIFFUSION

2011

© COPYRIGHT 2011 by Tyco Electronics Corporation

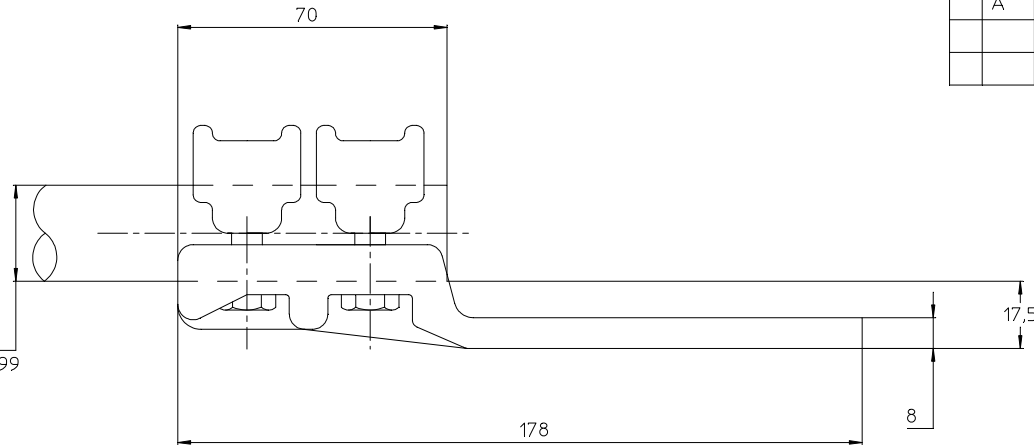
ALL RIGHTS RESERVED.
TOUS DROITS RESERVES

LOC -

DIST -

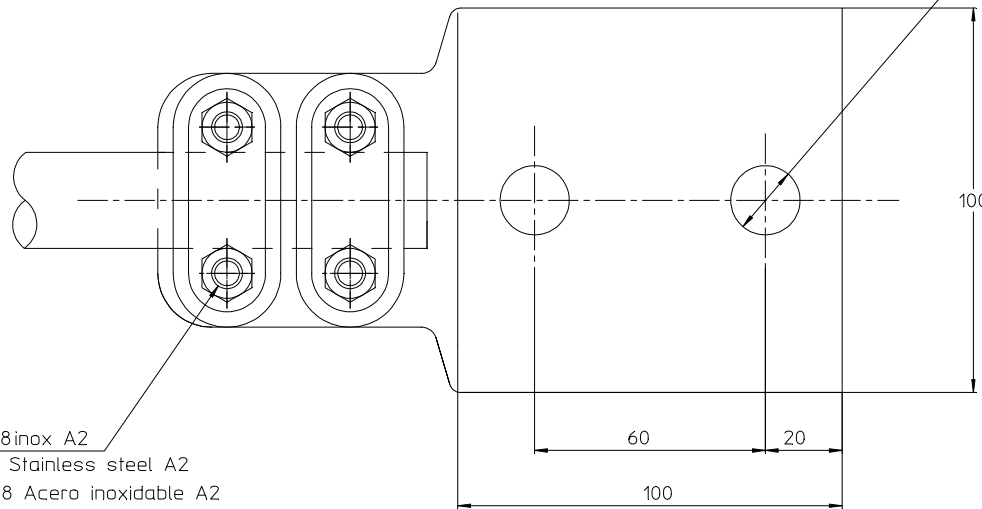
REVISIONS

P	LTR REV	DESCRIPTION MODIFICATIONS	DATE	DWN DESS	APVD APPR
	A	CREATION	31-Mar-15	JPM	-




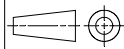
Cable ou tube ø21 à 25.99
 Cable or tube 21DIA to 25.99
 Cable o tubo ø21 a 25.99

2 Trous ø18
 2 Holes 18DIA
 2 Agujeros ø18



20 Nm

- 4 Boulons ø8inox A2
- 4 Bolts 8DIA Stainless steel A2
- 4 Tornillos ø8 Acero inoxidable A2

THIS DRAWING IS A CONTROLLED DOCUMENT. LE PLAN EST UN DOCUMENT CONTROLÉ PAR TYCO ELECTRONICS CORPORATION EST SUSCEPTIBLE D'ÊTRE REVISÉ POUR OBTENIR LA DERNIÈRE RÉVISION CONTACTER LE SERVICE TECHNIQUE DE TYCO ELECTRONICS SHEL SAS		DWN /DESSINE MOYEUR	31-Mar-15	 TE connectivity SIMEL PRODUCTS	
DIMENSIONS: mm		CHK/VERIFIE	-		
TOLERANCES UNLESS OTHERWISE SPECIFIED PER TOLERANCES NON SPECIFIEES SELON :-		APVD/APPROUVE	-	NAME TITRE	
		PRODUCT SPEC	-	CD 82 25 100 C892	
MATERIAL MATIERE		SPEC. PRODUCT	-	SIZE FORMAT	A3
FINISH FINITION		APPLICATION SPEC	-	CAGE CODE	00779
		SPEC. APPLICATION	-	DRAWING NO No PLAN	©=2839906
		WEIGHT MASSE APPROX.	0.55kg	RESTRICTED TO RESERVE A	-
		CUSTOMER DRAWING /PLAN CLIENT			
		UNIQUEMENT POUR REFERENCE	SCALE ECHELLE	1/3	SHEET FEUILLE
				1	OF DE
				1	REV A

ITEM: